

# **NH2100T Recommended Spare Parts Manual**



Copyright Nautilus Hyosung Inc. 2007 All right reserved.

All information described in this manual is a licensed product of Nautilus Hyosung Corporation.

It is the policy of Nautilus Hyosung Corporation to improve products as new technology, components, software, and firmware become available. Therefore Nautilus Hyosung reserves the right to change specifications without notice.

## Revision Record

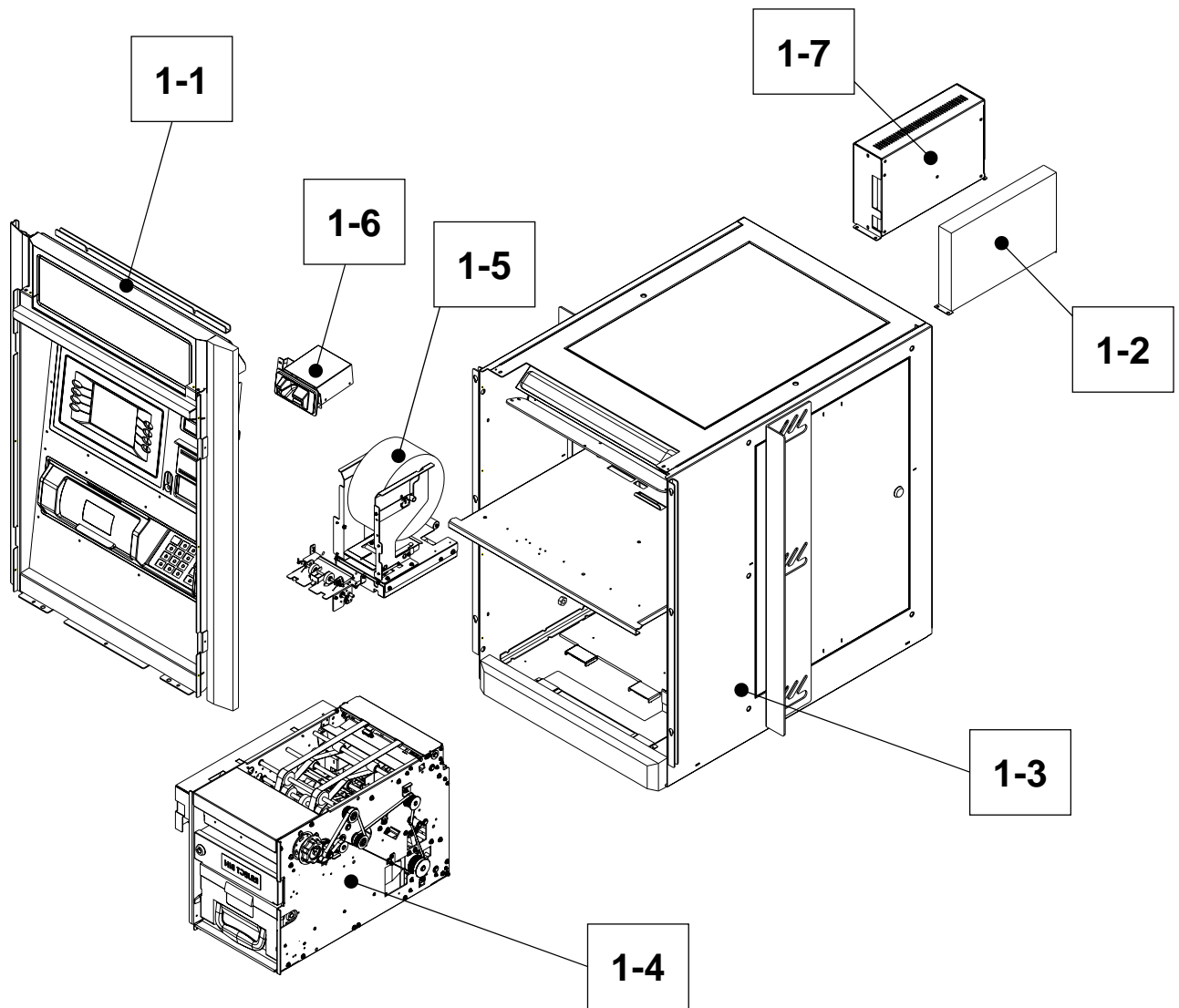
Date	Page	Version	Description of Change
February 2007	All	1.0	Preliminary version

## Table Of Contents

Chapter 1. Overall Configuration .....	1
Chapter 2. Fascia Assembly .....	3
Chapter 3. Control Electronics .....	8
Chapter 4. Body and Safe Door Assembly .....	10
Chapter 5. Cash Dispenser .....	13
Chapter 6. Receipt Printer .....	21
Chapter 7. Card Reader .....	24
Chapter 8. Power Supply .....	26
Chapter 9. Interface Cable .....	28
Chapter 10. Miscellaneous .....	31

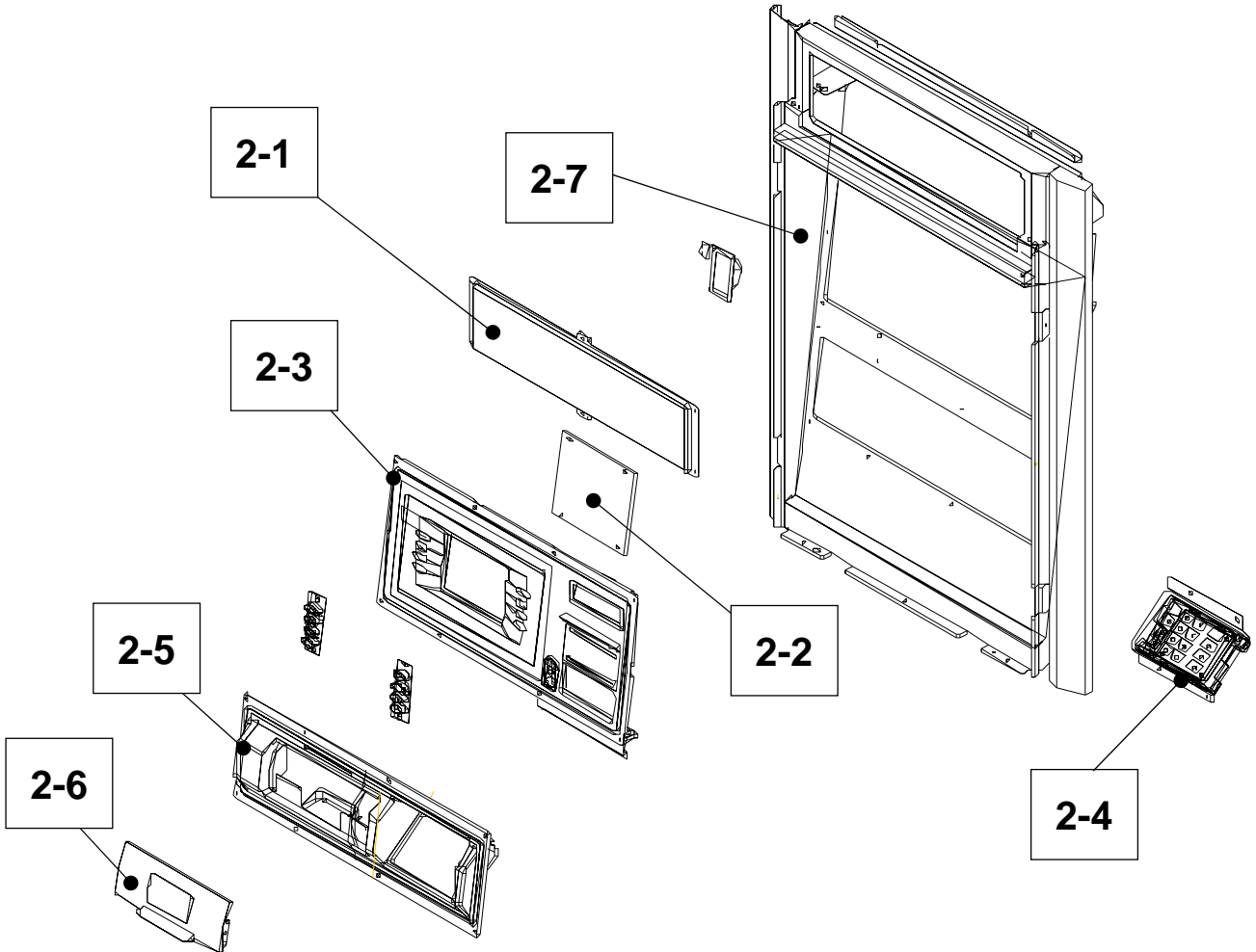
# 1. Overall Configuration

No	Description	Detail Information	Optional
1-1	Fascia Assembly	Refer to Chapter 2	
1-2	Control Electronics	Refer to Chapter 3	
1-3	Body and Safe Door Assembly	Refer to Chapter 4	
1-4	Cash Dispenser	Refer to Chapter 5	
1-5	Receipt Printer	Refer to Chapter 6	
1-6	Card Reader	Refer to Chapter 7	
1-7	Power Supply	Refer to Chapter 8	
1-8	Interface Cable	Refer to Chapter 9	
1-9	Miscellaneous	Refer to Chapter 10	

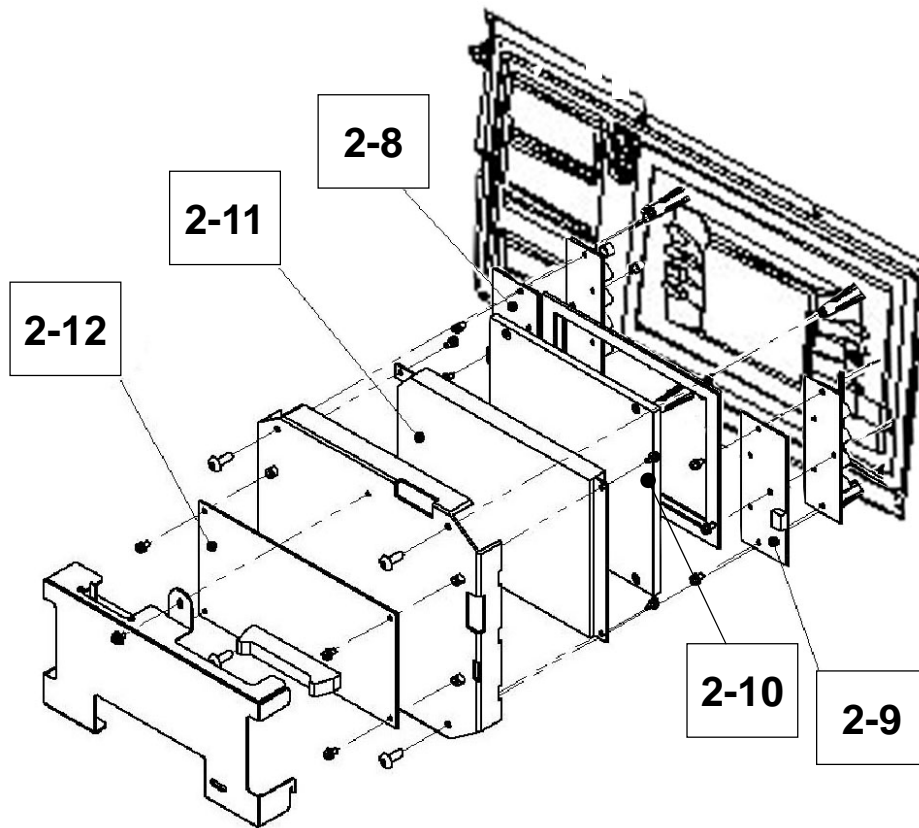


## 2. Fascia Assembly

No	Part No	(Reference No)	Part Name	Description
2-1	4490000006	-	WINDOW:COLLAR:PC3025MB-TTW	Bezel, Globe Cover
2-2	72844509	-	ASSY:LCD:MB-TTW	LCD Assy
2-3	4370000308	-	K-ASSY:LCD_BEZEL;MB-TTW	LCD Bezel
2-4	72887005	-	ASSY:OPL_KEY:METAL_KEY	Encryption PIN Pad
2-5	72883852	-	ASSY:CDU_BEZEL:MB-TTW	Cash Dispenser Bezel
2-6	43027701	-	SHUTTER:CDU:ALDC:MB-TTW	Cash Shutter
2-7	72884103	-	ASSY:COLLAR:MB-TTW	Fascia Assy



No	Part No	(Reference No)	Part Name	Description
2-8	72321101	(20021279-1)	PCBA:FUNCTION KEY-L	Keypad, Right side of LCD
2-9	72321102	(20021280-1)	PCBA:FUNCTION KEY-R	Keypad, Left side of LCD
2-10	45265501	(21021193-1)	WINDOW:ACRYL:134X129	Plastic Cover, Clear
2-11	56002301	-	LCD:5.7" MONO:HDM3224	5.7" Panel, Monochrome
2-12	72320211	(21021276-1)	PCBA:INVERTER(COLOR)	Inverter Board, Color

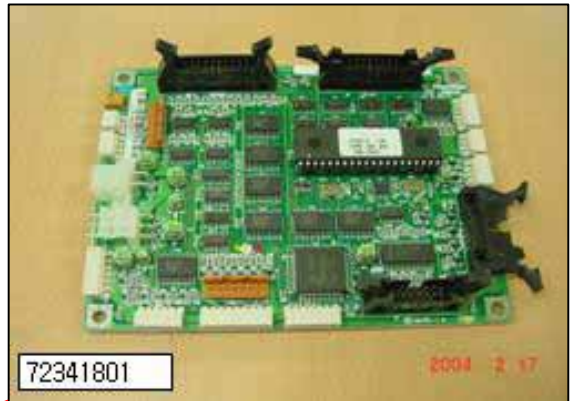


No	Part No	(Reference No)	Part Name	Description
2-13	72337501	(11021301-1)	PCBA:ADA_B/D:NH1500	ADA Mainboard
2-14	72341801		PCBA:MBS5000_PNC_B/D	
2-15	32052809		CABLE ASSY :SPEAKER	Speaker
2-16	72321802		PCBA:FLICKER 1:SATM	
2-17	45269901		WINDOW:OPEN:ACRYL_2.0t	

2-13



2-14



2-18



2-15



2-16



2-2

2-17



No	Part No	(Reference No)	Part Name	Description
2-18	72341001	-	PCBA:TTW_USER_LAMP	Lamp Board
2-19	72337001	-	PCBA:ADA_I/F:MB1500	Earphone Jack Board

2-18



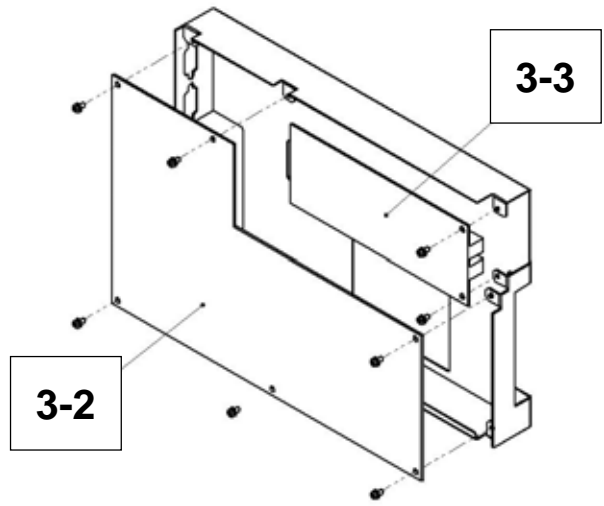
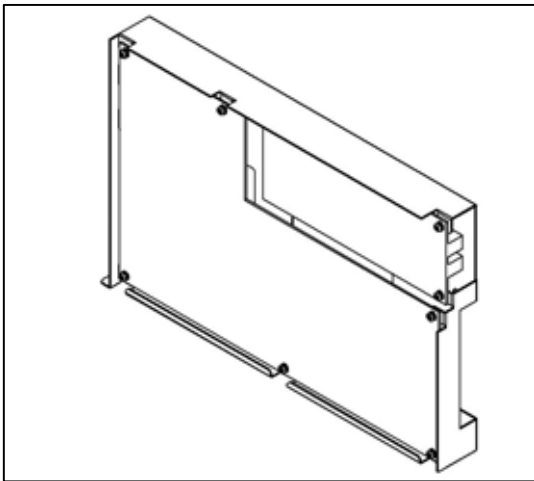
2-19



### 3. Control Electronics

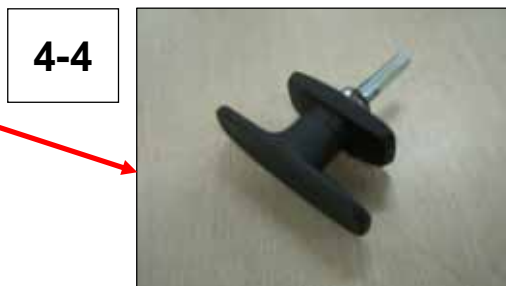
No	Part No	(Reference No)	Part Name	Description
3-1	72871424	-	ASSY:CE:MB-TTW	Control Electronics Assy
3-2	72336603	-	PCBA:MAIN(MONO/COLOR)	Motherboard
3-3	749000005	(16021298-1)	PCBA:MODEM:CX81801:NH1500	Modem Board

3-1



## 4. Body and Safe Door Assembly

No	Part No	(Reference No)	Part Name	Description
4-1	32112203		CABLE ASS"Y:DOOR SENSOR I/F	Door Sensor for safe door
4-2	56625901		TSPL-II_UNIT:5.7" _LCD-MONO_FSTN	Rear Operator Panel
4-3-1	45112601	(23111424-1)	DIAL KEY:COMBO GARD:3040-DB	Lagard combogard, electronic
4-3-2	45112401	(23021439-1)	ELECTRONIC:LOCK:KIS-BANK	Lagard LG basic, electronic
4-4	45602703	(19021225-1)	T-HANDLE:LATCHES(#03)	Door, T Handle
4-5	47036301	(19021360-1)	K-ASSY:FRONT_DOOR:MB-1500	Door, w/o Lock



No	Part No	(Reference No)	Part Name	Description
4-6	45129305	-	SLIDE_RAIL:C350-22":MB-TTW	CDU Slide Tray Rail
4-7	45560801	-	SUPPORT:CDU_RAIL_01:GALVA_2.0t:MB-TTW	CDU Slide Tray Rail Bracket Left (MB21T)
4-8	45560901	-	SUPPORT:CDU_RAIL_02:GALVA_2.0t:MB-TTW	CDU Slide Tray Tail Bracket Right (MB21T)
4-9	4140000002	-	K-ASSY:DOOR_LEFT:MB-TTW	Door, Access, Left
4-10	47088901	-	K-ASSY:DOOR_REAR:MB-TTW	Door, Access, Rear
4-11	4140000001	-	K-ASSY:DOOR_RIGHT:MB-TTW	Door, Access, Right

4-6



4-7



4-8



4-9



4-10



4-11



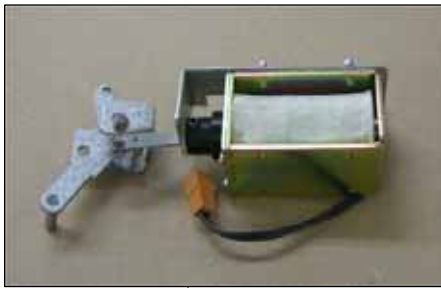
## 5. Cash Dispenser

No	Part No	(Reference No)	Part Name	Description
5-1	72841337	-	UNITS:CDU-1115/BA:REAR	Assy with cassette for 2K note cassette
5-2	72842304	-	ASSY:GATE1 SOLENOID	Reject Gate Solenoid Assy
5-3	44135304	(15021129-1)	ENCORDER:61(#04)	Encoder Wheel, New type
5-4	44974701	(15021159-1)	SPRING:GATE2:SUS 304WPB	Exit Solenoid Spring
5-5	44974101	(1502157-1)	SPRING:GATE:SUS 304WPB	Reject Solenoid Spring (BOM ?)
5-6	72843602	-	ASSY:GATE2 SOLENOID	Exit Gate Solenoid Assy
5-7	7670000014	-	PCBA:CDUMA_II BD:1L	Control Board for Cash Dispenser
5-8	44974201	(15021158-1)	SPRING:GEAR SUPPORTER	Clutch Spring

5-1



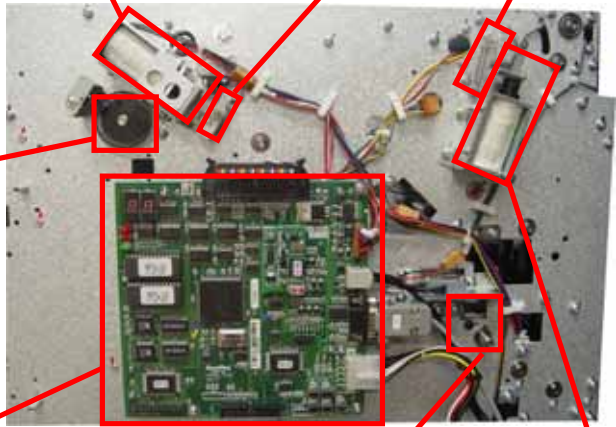
5-2



5-4



5-3



5-5

5-7



5-8



5-6



No	Part No	(Reference No)	Part Name	Description
5-9	45323603	(15021207-1)	T_BELT:B60S3M612	Drive Belt, Large
5-10	45323609	-	STPD:09:B80S3M339	Drive Belt, Medium
5-11	45323611	(15021208-1)	T_BELT:B80S3M219:11	Drive Belt, Small
5-12	56403106	(15021262-1)	MOTOR:60103-024-12GHLFD	Main Motor
5-13	72841904	-	ASSY:GEAR SUPP(#04)	Clutch Shaft Assy
5-14	72852002	(15021342-1)	ASSY:TENSION_ROLLER_A	Tension Roller Assy
5-15	45353401	(15021210-1)	CATCH:TL-118:CAM	Cassette Insertion Clip

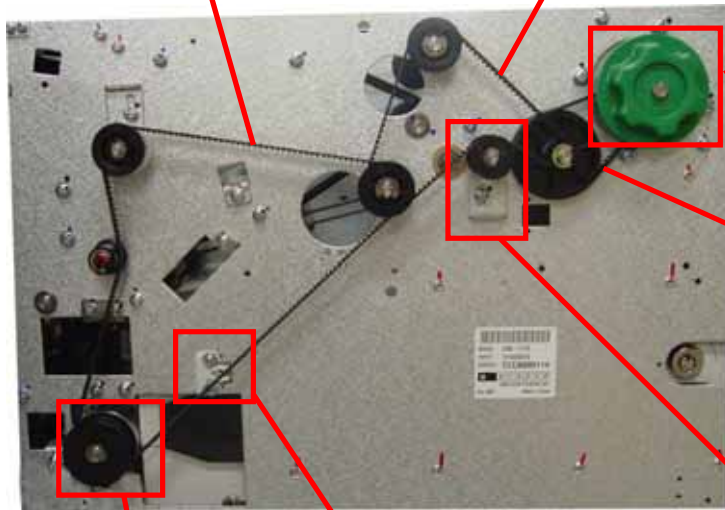
5-9



5-10



5-12



5-11



5-13



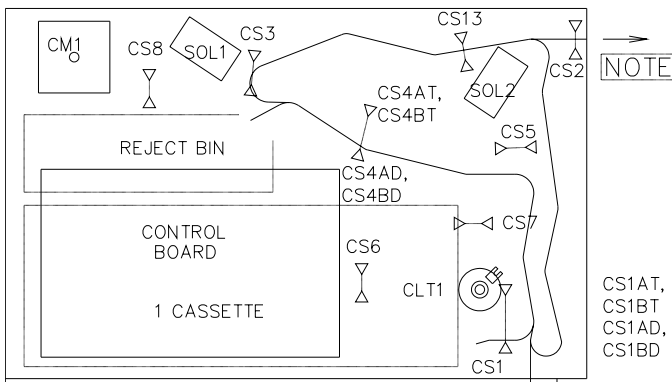
5-15



5-14



No	Part No	(Reference No)	Part Name	Description
5-16	21685201	-	SENSOR:P-INTER:G-310	Emitting light Sensor
5-17	21685202	-	SENSOR:P-INTER:ST-310	Detecting light Sensor
5-18	44133901	-	HOLDER:SENSOR	Bracket for sensor holder
5-19	21685011	-	SENSOR:P-INTER:KSG-113	Coupling Sensor (Reflecting)
5-20	32079301	(15021090-1)	CABLE ASSY:MICRO S/W	Cassette Insertion Switch
5-21	21683911	-	SENSOR:P-INTER:KLG-248L1	Coupling Sensor (Transmitted)



No	Sensor label	Correspondent Part
1	CS1D, CS4D, CS13D	5-16, 5-18
2	CS1T, CS4T, CS13T	5-17, 5-1-18
3	CS6	5-19
4	CS7	5-20
5	CS3, CS8	5-21

5-16



5-17



5-18



5-19



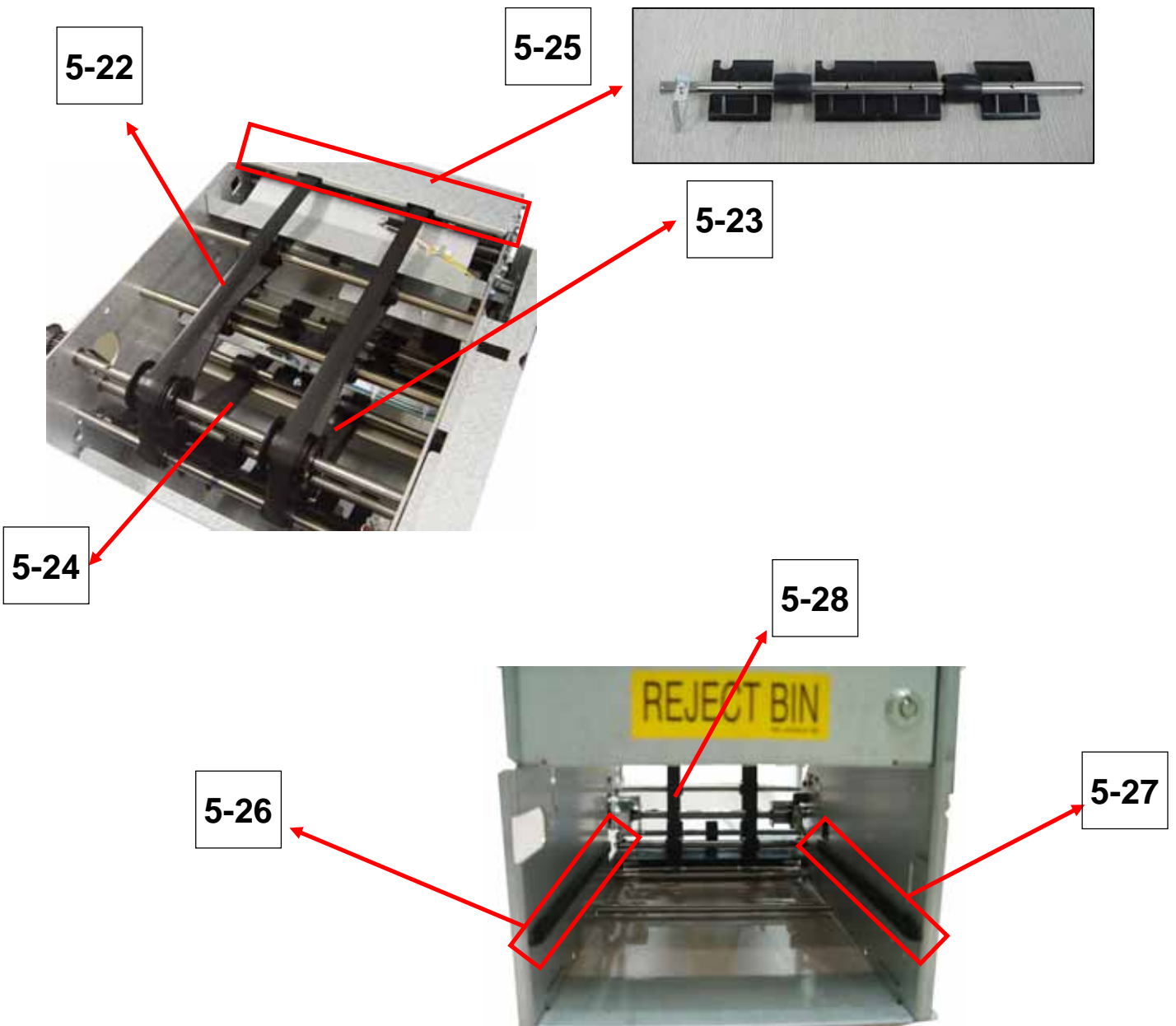
5-20



5-21



No	Part No	(Reference No)	Part Name	Description
5-22	45323517	-	BELT:SE_N_SMV1:14Wx613x0.8t	Feed Belt, Upper
5-23	45323508	-	SE_N_SMV1:14Wx917x0.8t	Feed Belt, Middle
5-24	45323502	-	SE_N_SMV1:14Wx688x0.8t	Feed Belt, Lower
5-25	72852011	-	ASSY:GATE 2:CDU-MR	Exit Gate Assy
5-26	45184102	(15021183-1)	GUIDE:SET(02)	Cassette Insertion Rail, Left Side
5-27	45184101	(15021182-1)	GUIDE:SET(01)	Cassette Insertion Rail, Right Side
5-28	45323516	-	BELT:SE_N_SMV1:14Wx502x0.8t	Feed Belt, near cassette



No	Part No	(Reference No)	Part Name	Description
5-29	72841501	(15021323-1)	ASSY:MOD.UP:SUPPORTER	Static Strip Bracket
5-30	72842501	(15021132-1)	ASSY:RJ DOOR:MCD:US	Reject Bin Cover
5-31	72847501	(15021340-1)	ASSY:DBL_SUPPORT::MCD	Double Detect Roller Assy
5-32	72843203	(15021329-1)	ASSY:DBL_FRAME:MCD:US	Double Detect Sensor Assy
5-33	72844401	(-)	ASSY:CS2L:FRONT COVER	CS2L Front Cover

5-29



5-31

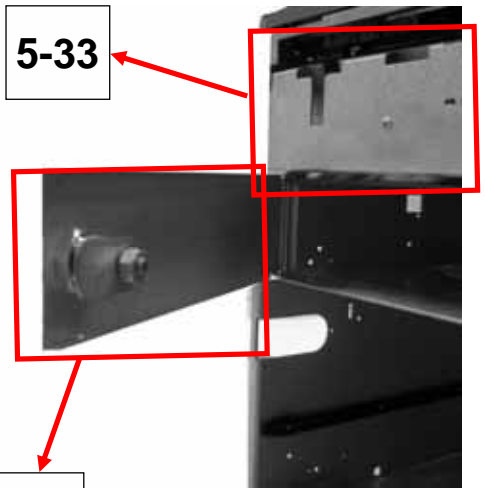


5-32



5-33

5-30

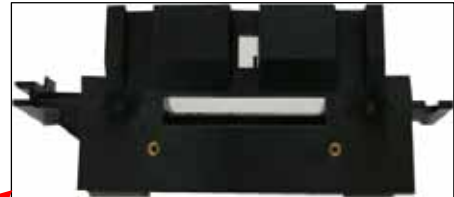


No	Part No	(Reference No)	Part Name	Description
5-34	7310000082	-	ASSY:CASSETTE:MULTI_2	Cash Cassette
5-35	45494501	-	PUSH_PLATE:FR-PC_GP2300	Push Plate for Cash
5-36	45402901	-	TOUCH LATCH:E4-10-201-10	Touch Latch for locking Push Plate
5-37	7310000085	-	ASSY:CASSETTE_COVER	Cover of Cassette
5-38	7310000224	(14021331-1)	ASSY:NOTE-SEPARATE:CDU	Note Separator Assy

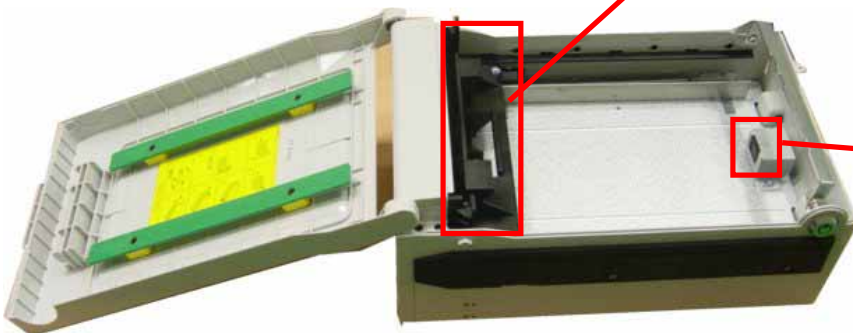
5-34



5-35



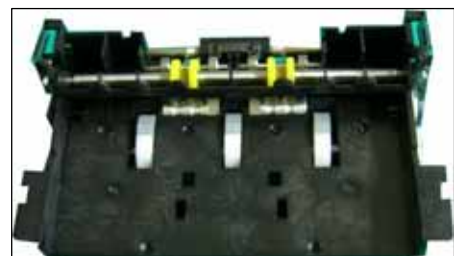
5-36



5-37

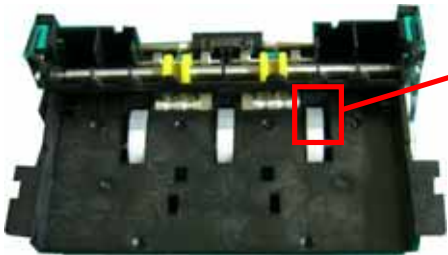


5-38



No	Part No	(Reference No)	Part Name	Description
5-39	43025001	(14021161-1)	P_ROLLER:RUBBER:REG-520	Rubber Note Pickup
5-40	45602501	-	HANDLE:007:CDU-M	Handle Assy
5-41	44982001	(14021160-1)	BLOCK:SUS_304L	Identification Tab
5-42	44603301	(14021152-1)	SCREW:ELLIPSE HEAD M3X5	Identification Tab Screw

5-39



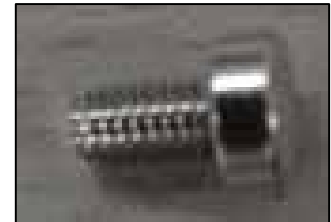
5-40



5-41

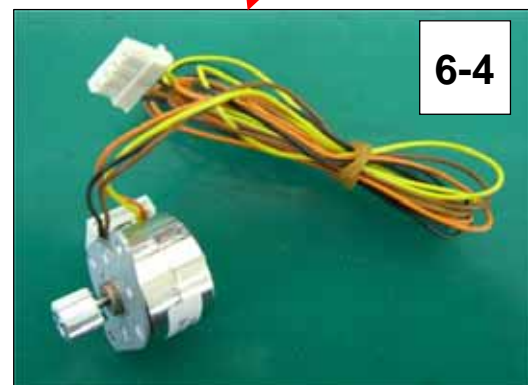
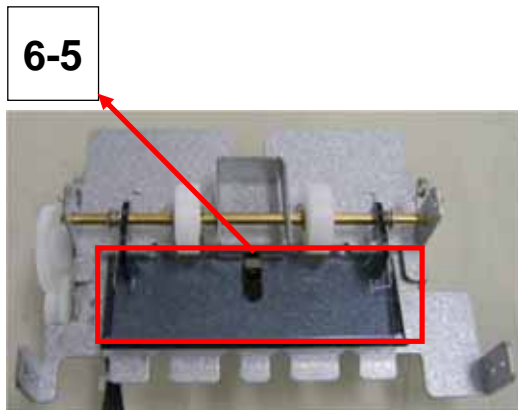
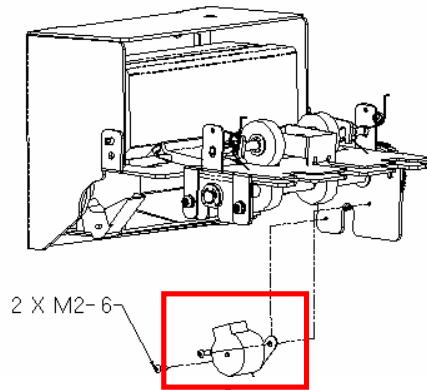
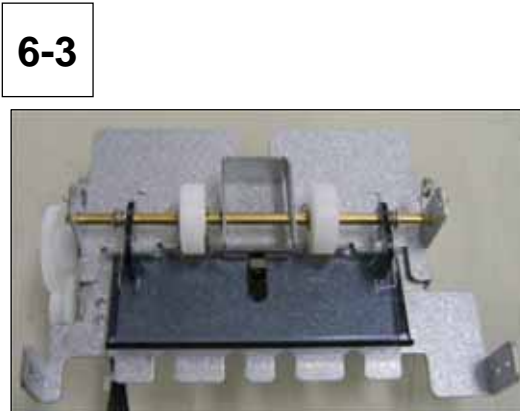
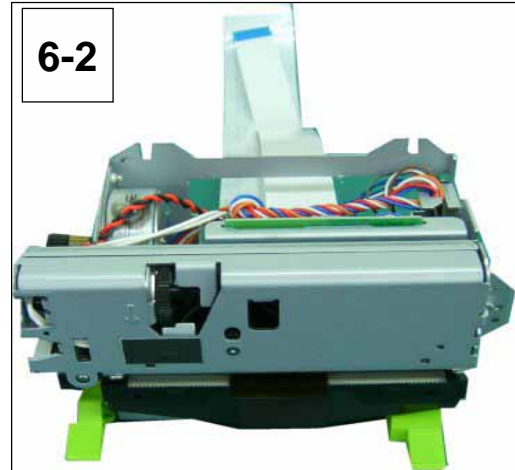
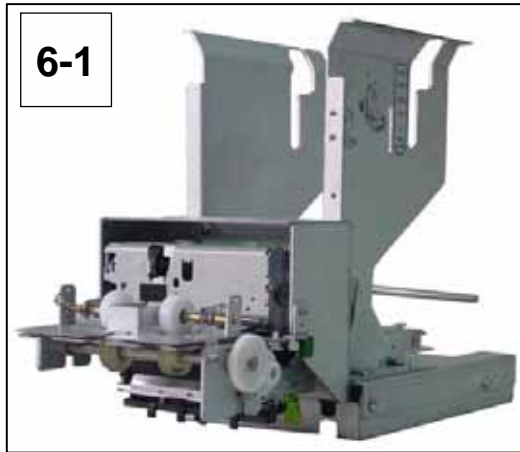


5-42



## 6. Receipt Printer

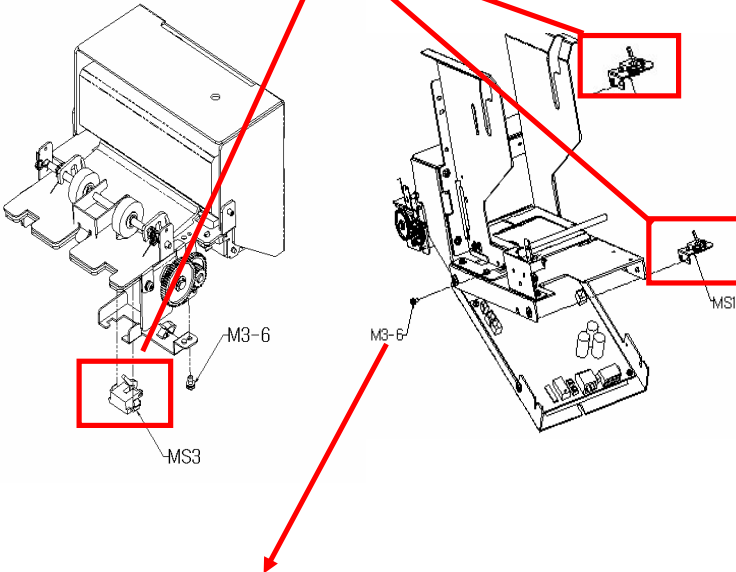
No	Part Number	Part Name	Description
6-1	72865611	ASSY:MB_SERIES:K_SPR	Receipt printer
6-2	57422612	THERMAL_PR.:M-T482AF:B/M	Printing engine including Thermal Head
6-3	72881301	ASSY:GUIDE_OUTLET:MB1500_SPR	Outlet Assembly
6-4	56405701	MOTOR_STEP:PM20S-020-ZKY8:DC24V	Feed motor of outlet Assembly
6-5	45424101	GUIDE:SPR_UPPER:PC-2292R_GRADE	Guide Bracket of Outlet Assembly



No	Part Number	Part Name	Description
6-6	21685601	SENSOR:P-INTERRUPTER:SG-405CD	Jam Sensor on transport path
6-7	72335603	PCBA:K-SPR3_VE_MAIN:SPR:1M	Control board of Receipt Printer
6-8	45463602	SCR:UNIT_SUPPORT_M3_1.8L	Screw
6-9	45473801	SHAFT:PAPER ROLL:NANOCASH	Hanger of Receipt Paper

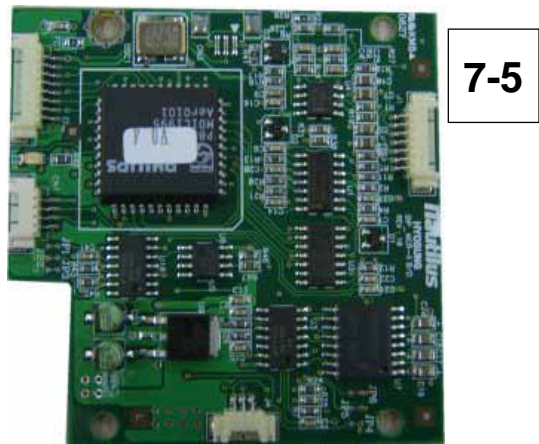
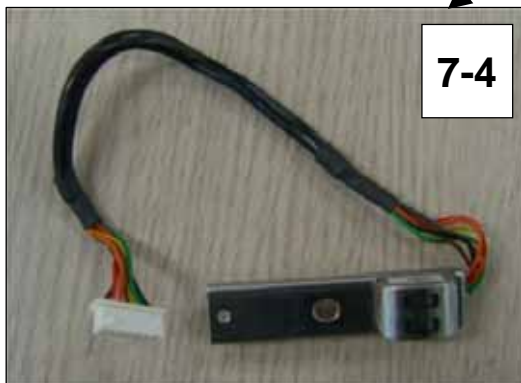
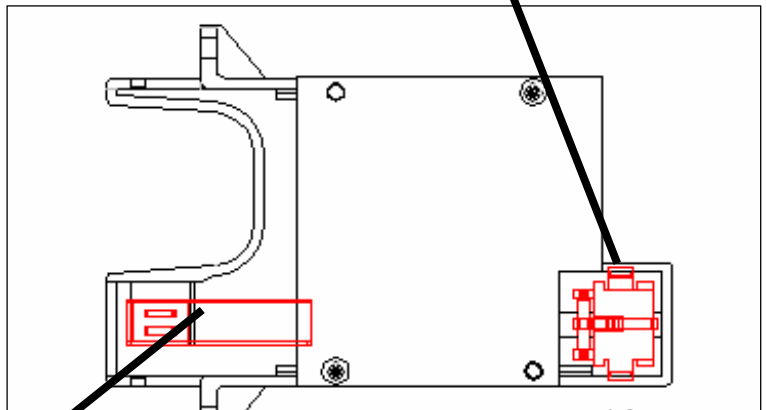
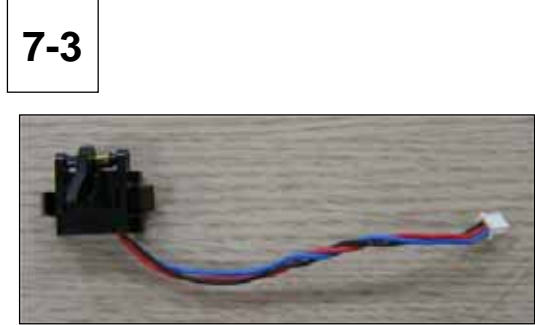
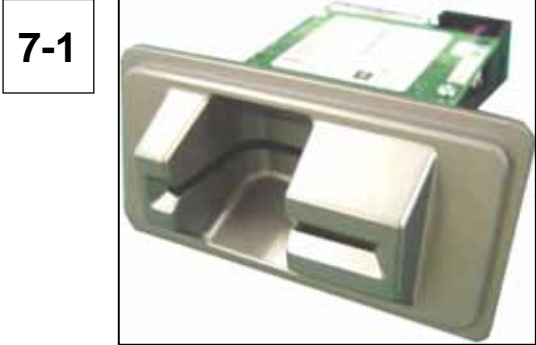


6-7



## 7. Card Reader

No	Part No	(Reference No)	Part Name	Description
7-1	72881104	-	UNIT:DIP_MCR	Card Reader (MCR), Assy
7-2	43027601	-	ENTRANCE:DIP:AF-345	Entrance Bezel
7-3	32122501	-	CABLE ASS"Y:SENSOR2	Card Detection Sensor
7-4	56423901	-	MCR:KDR-1D81	Magnetic Head
7-5	72336111	-	PCBA:DIP-MCR-II:TTL	Control Board of Card Reader



## 8. Power Supply

No	Part No	(Reference No)	Part Name	Description
8-1	71130421		P/S_ASSY:120W:HPS120	Power Supply

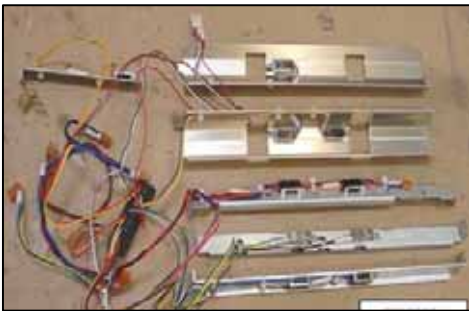
8-1



## 9. Interface Cable

No	Part No	(Reference No)	Part Name	Description
9-1	72868603	-	ASSY:SENSOR CABLE:CDU-MR	CDU Wiring Hardness
9-2	32120002	-	CABLE ASS"Y:EPP I/F	EPP Communication Cable
9-3	32078403	-	CABLE ASS"Y:MBD, EPP PWR	EPP Power Cable
9-4	32078314	-	CABLE ASSY:DEVICE IF:SHU,CDU	Device Cable to Control Electronics
9-5	32120701	(13021094-1)	CABLE ASS"Y:DIP-MCR I/F	MCR to LCD
9-6	33225006	(13021104-1)	FFC CABLE:UL2896:KF2B 6Px80mm	Ribbon, LCD Keypad Left/Right

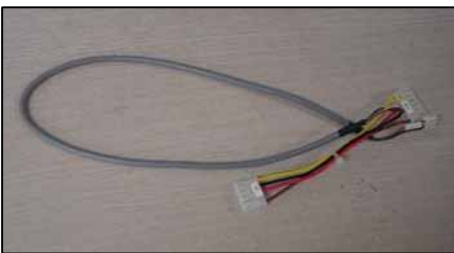
9-1



9-2



9-3



9-4



9-5



9-6



No	Part No	(Reference No)	Part Name	Description
9-7	33251901	-	CORD:POWER:125V:10A:18AWG:4.5M	Power Cord Cable
9-8	33280601	-	CABLE ASSY:MODEM:L=4500	Modem Cable
9-9	32123705	-	CABLE_ASSY:OPL_IF:40P:MB-TTW	LCD Data Cable

9-7



9-8



9-9



## 10. Miscellaneous

No	Part No	(Reference No)	Part Name	Description
10-1	56790601	-	SHEET:MYUNGSEPYO:K_SPR2	Receipt paper
10-2	45110111	(23021167-1)	KEY:CASSETTE:KEY_ONLY:36X21	Key only, Cassette/Reject Bin
10-3	45110110	(23021166-1)	KEY:SYSTEM:KEY_ONLY:36X26	Key only, Door/ Top Bezel
10-4	39000032	(11001492-1)	TEST CARD	Test Card

10-1



10-2



10-3

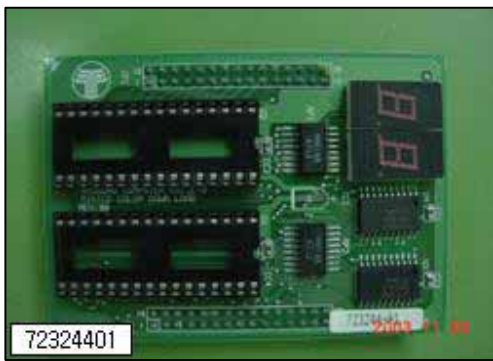


10-4

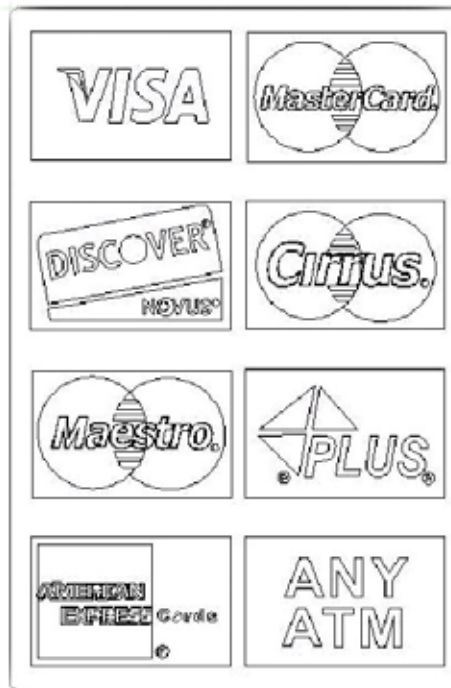


No	Part No	(Reference No)	Part Name	Description
10-5	72324401	(16021293-1)	PCBA:ROMPACK B/D:MINI-CD	Flash Board, w/o ROMs
10-6	21622302	(17031067-1)	BATTERY:Ni-Cd:3.6V:600mAh	Battery, Block type
10-7	5721000415	(11001393-1)	LABEL:CARD:PET_0.4t	Decal

10-5



10-7



10-6

